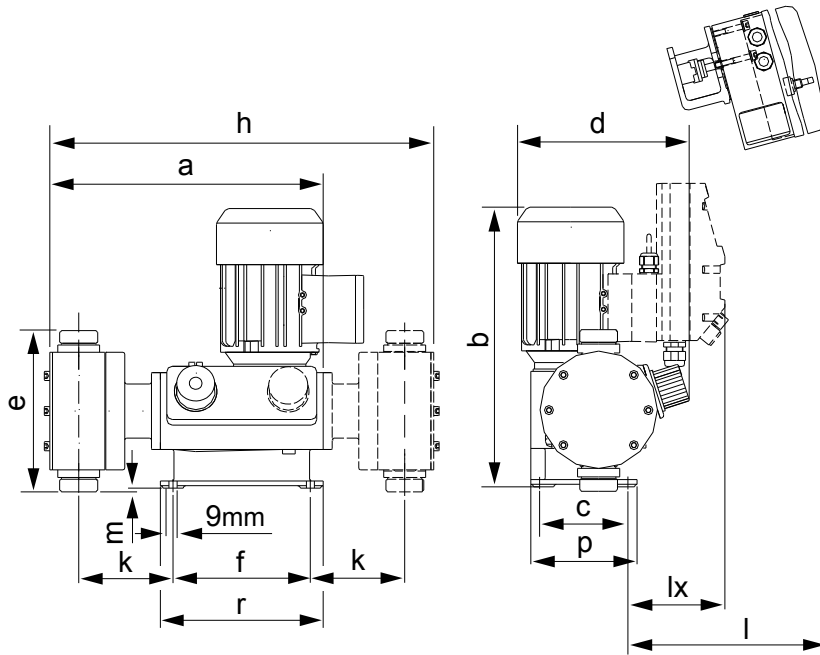


DMX 226

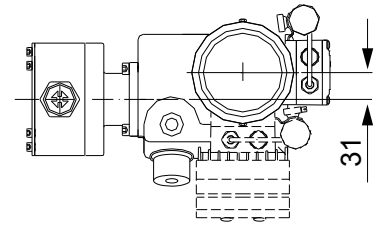
The flexible diaphragm dosing pump



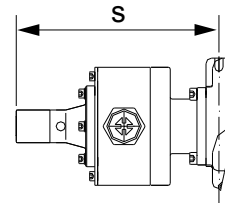
DMX 226-...M



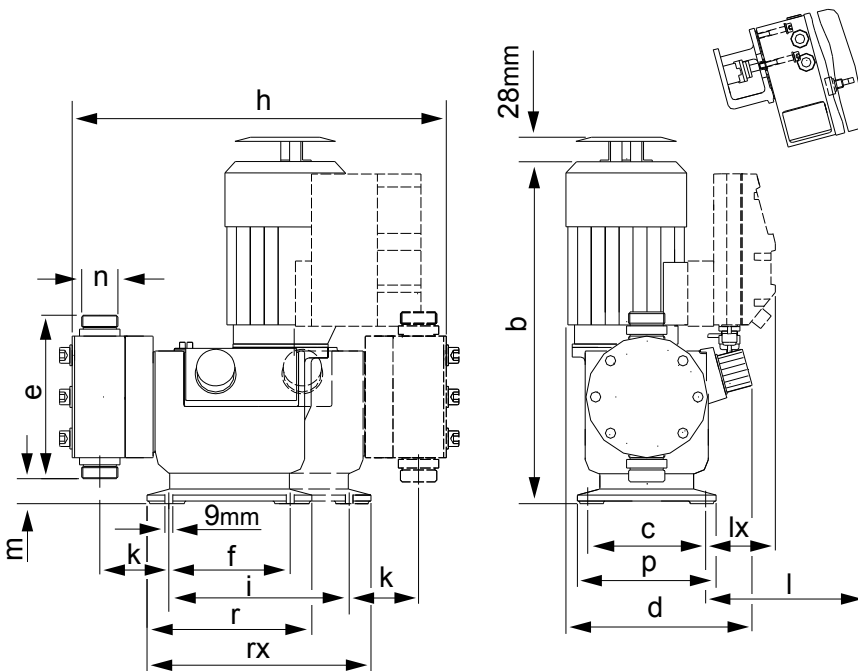
DMX 226-...M Top view



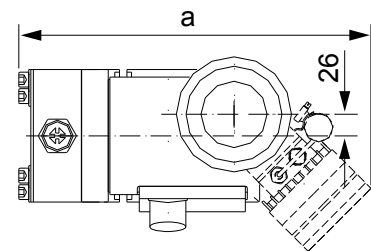
DMX 226-...M
integrated pressure relief valve



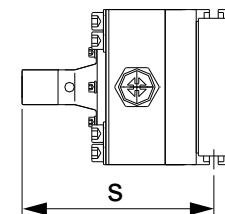
DMX 226-...L



DMX 226-...L Top view



DMX 226-...L
integrated pressure relief valve



Measurements in mm

Measurements

Head size	a	b	c	d	e	f	h	i	k	l	l (EEx)	l _x	m	n	p	r	r _x	s
-----------	---	---	---	---	---	---	---	---	---	---	---------	----------------	---	---	---	---	----------------	---

DMX model 226-...M

1	302	310	97.5	190	178	152	425	-	104.5	250	315	107	4	G 1 1/4"	118	180	-	198
2	302	310	97.5	190	188	152	425	-	104.5	250	315	107	4	G 1 1/4"	118	180	-	198
3	302	310	97.5	190	208	152	425	-	106.5	250	315	107	4	G 1 1/4"	118	180	-	198

DMX model 226-...L

1	max. 426	372	136	222	178	140	440	208	80	233	352	80	34	G 1 1/4"	160	190	258	223
2	max. 426	372	136	222	188	140	444	208	80	233	352	80	29	G 1 1/4"	160	190	258	223
3	max. 426	372	136	222	208	140	453	208	83	233	352	80	19	G 1 1/4"	160	190	258	223
4	max. 445	390	136	222	240	140	498	208	92	233	352	80	3	G 2"	160	190	258	-

Measurements in mm

Pump types

50 Hz			60 Hz			100 Hz 2)			V _{stroke}	Head size	Connection PVC	DMX model	
[l/h] 1)	[n/min]	p _{max} [bar] 3 AC 1 AC 3)	[l/h] 1)	[n/min]	p _{max} [bar] 3 AC 1 AC 3)	[l/h] 1)	[n/min]	p _{max} [bar]				simplex pump	duplex pump

Motor 0.18 kW

24	29	8	8	28	34.8	8	8	48	58	8	13.8	1	Hose 13/20	226-24M	226-24M/2
52	63	8	8	62	75.6	8	8	104	126	8				226-52M	226-52M/2
100	120	8	8	120	144	8	8	-	-	-				226-100M	226-100M/2
142	168	8	8	-	-	-	-	-	-	-				226-142M	226-142M/2
37	29	5	5	45	34.8	5	5	75	58	5	22	2	Hose 13/20	226-37M	226-37M/2
82	63	5	5	98	75.6	5	5	164	126	5				226-82M	226-82M/2
160	120	5	5	192	144	5	5	-	-	-				226-160M	226-160M/2
224	168	5	5	-	-	-	-	-	-	-				226-230M	226-230M/2
60	29	3	3	72	34.8	3	3	120	58	3	36	3	Hose 19/27	226-60M	226-60M/2
130	63	3	3	156	75.6	3	3	260	126	3				226-130M	226-130M/2
255	120	3	3	306	144	3	3	-	-	-				226-255M	226-255M/2
380	168	3	3	-	-	-	-	-	-	-				226-380M	226-380M/2

Motor 0.37 kW

67	57	10	10	80	68.4	10	10	134	114	10	18.5	1	Hose 13/20	226-67L	226-67L/2
132	120	10	10	158	144	10	10	-	-	-				226-132L	226-132L/2
190	175	10	8	-	-	-	-	-	-	-				226-190L	226-190L/2
95	57	8	8	114	68.4	8	8	190	114	8	27.8	2	Hose 13/20	226-95L	226-95L
199	120	8	8	239	144	8	8	-	-	-				226-199L	226-199L/2
280	175	8	6	-	-	-	-	-	-	-				226-280L	226-280L/2
152	57	6	6	182	68.4	6	6	304	114	6	44.6	3	Hose 19/27	226-152L	226-152L/2
321	120	6	4	385	144	6	4	-	-	-				226-321L	226-321L/2
460	175	6	3.5	-	-	-	-	-	-	-				226-460L	226-460L/2
249	57	3	3	299	68.4	3	3	498	114	3	73	4	Pipe 32/40	226-249L	226-249L/2
315	72	3	3	378	86.4	3	3	630	144	3				226-315L	226-315L/2
525	120	3	3	630	144	3	3	-	-	-				226-525L	226-525L/2
765	175	3	-	-	-	-	-	-	-	-				226-800L	226-800L/2

- 1) Remember to add the litre capacities of duplex pumps (2 dosing heads)!
- 2) Only with motor frequency control
- 3) Option: 1 AC motor for Etron Profi.

Technical data

Accuracy	Dosing flow < ± 1.5 %. Linearity < ± 4 %
Dosing flow adjustment	<ul style="list-style-type: none"> Manually by stroke length adjustment in the ratio 1:10 Electronic stroke length adjustment Motor frequency control
Suction height	According to size of dosing head up to 3 m water column
Parts in contact with chemicals	<ul style="list-style-type: none"> Dosing diaphragm: PTFE-coated Dosing head and valves > see table below
Drive	Motors > see below
Weight	Simplex pumps: 15.5 to 16.5 kg Duplex pumps: 20.5 to 23 kg
Connections for DMX model:	
226-52M to 226-230M and 226-67L to 226-280L	Dosing head size 1 + 2 : PVC hose 13/20; PVC/PP/PVDF pipe 20/25; steel pipe ¾"
226-130M to 266-380M and 226-152L to 226-460L	Dosing head size 3 : PVC hose 19/27; PVC/PP/PVDF pipe 20/25; steel pipe ¾"
226-249L to 226-800L	Dosing head size 4 : PVC/PP pipe 32/40; PVDF pipe 35/40; steel pipe 1 ¼"

Dosing head and valve versions

- Dosing of non abrasive and non combustible liquids

Dosing head	Material			
	Valve body	Valve seat	Gasket	Valve ball
PVC	PVC	PTFE	Viton	Glass
PVC	PVC	PTFE	EPDM	Stainless steel
PP	PP	PTFE	Viton	Glass
PVDF	PVDF	PTFE	PTFE	PTFE
Stainless steel	Stainless steel	Stainless steel	Viton	Stainless steel

Options:

- Heating/cooling flange, only for stainless-steel version, T_{max} 80°C, p_{max} 1 bar, connection with hose nozzle 10 mm
- Special valves for abrasive liquids
- Integrated sensor for diaphragm leakage indication
- Integrated pressure relief valve (PVC/PVDF)

Motors

Selection of other motors	Motor capacity / Motor suitable for DMX model	
	226-...M and 226-...M/2	226-...L and 226-...L/2
3 AC, 220-240/380-420 V, 50/60 Hz, 440-480 V, 60 Hz, IP 65/F	0.18 kW	0.37 kW
3 AC, 220-240/380-420 V, 50/60 Hz, 440-480 V, 60 Hz, IP 65/F, PTC	0.18 kW	0.55 kW

Flameproof motors 230/400 V (50Hz), IP 65/ F, ATEX guideline 94/9/EC*, with certificate

II 2G EEx e II T3	0.18 kW	0.37 kW
II 2GD EEx de II C T4	0.18 kW	0.37 kW
II 2GD EEx de II C T4, PTC	0.18 kW	0.55 kW

Motors for pumps with Etron Profi, single-phase (1 AC)

230 V, 50 Hz, IP 65/F	0.18 kW	0.37 kW ¹⁾
115 V, 60 Hz, IP 65/F	0.18 kW	0.37 kW ¹⁾

Motor assemblies

NEMA 56 C	X	X
IEC B5, frame size 63	X	–
IEC B5, frame size 71	–	X

*) The European guideline 94/9/EC ATEX applies to all facilities and security systems which are used in potentially explosive areas. Our DMX model 226 dosing pumps are examined and certified according to this guideline for non-electrical operating supplies. The motor versions EEX are certified by the manufacturer according to the ATEX guidelines for electrical operating supplies.

1) Not available for DMX model 226-800L and 226-800L/2

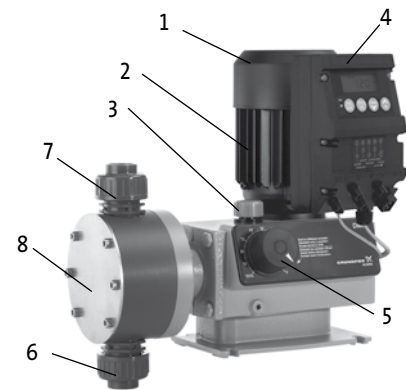
Etron Profi microprocessor electronics

Remember to order a 1 AC pump motor for Etron Profi !

Not suitable for DMX model 226-800L and 226-800L/2 !

- Stroke frequency adjustable from 0-max., 0/4-20 mA signal
- Contact input with multiplier and divisor, with memory function
- Two-step tank empty signal, remote on/off
- Input for diaphragm leakage indication

Description Etron Profi
for mounting on terminal box, contact NO
for wall mounting, contact NO, length of cable to the pump: 5 m



DMX 226 M with Etron Profi

- | | |
|------------------------|--------------------------|
| 1 Motor | 5 Stroke adjustment knob |
| 2 Terminal box | 6 Suction valve |
| 3 Ventilation valve | 7 Pressure valve |
| 4 Etron Profi (option) | 8 Dosing head |

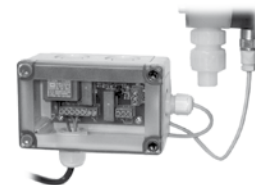
Stroke sensor

Description	Order No.
Enclosure with built-in stroke sensor (inductive)	on request

Electronics for diaphragm leakage indication

(for pumps without Etron Profi)

<ul style="list-style-type: none"> • Contact load 250 V/6 A, max. 550VA • Power consumption 1.15 VA • Protection IP 65 • Admissible temperature 0 - 40 °C 	Description	Order No.
	115 V ± 10%	334-22
	230 V ± 10%	334-23



Signal transmission

Description	Order No.
Cable with plug for contact input, current input and remote ON/OFF	
Cable length 2 m	321-205
Cable length 5 m	321-207
Cable with plug for output empty/error signal and stroke signal	
Cable length 2 m	321-206
Cable length 5 m	321-208
Cable with plug for diaphragm leakage system	
Combined plug, 5 poles	321-210
Cable, 5 poles, length 5 m	321-223

Servomotors

Description	Order No. (DMX model)	
	226-...M	226-...L
for simplex pumps	384-715	384-712
1 servomotor for duplex pumps	384-716	384-713
2 servomotors for duplex pumps	384-717	384-714

With feedback potentiometer 1000 Ohm

- 230 V, 50/60 Hz, IP 55
- 115 V, 50/60 Hz, IP 55, 1-phase
- 24 V AC, 50/60 Hz, IP 55, 1-phase

Flameproof servomotor

- EEx d II BT 4, IP 65, with fixing accessories
- EEx d II BT 4, IP 65, with 4-20 mA input, incl. support console



DMX 226 with servomotor

Option:

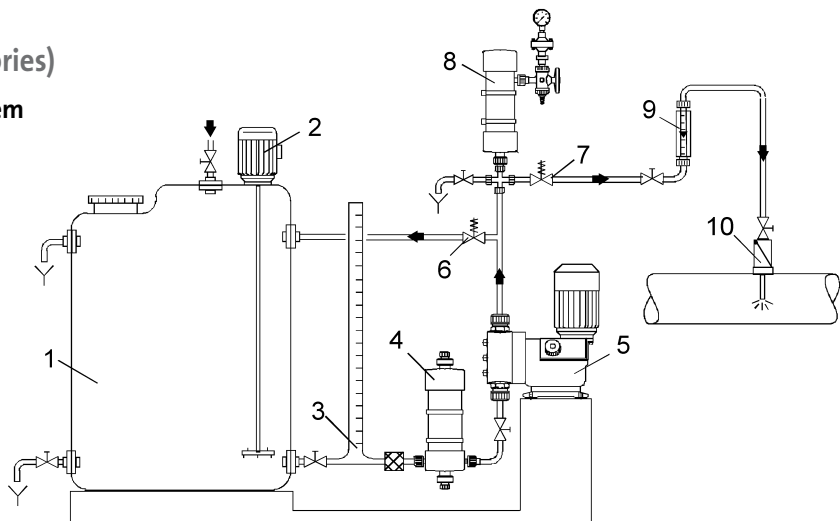
Servomotor with 4-20 mA input, with switch for manual adjustment ON/OFF

Accessories and fittings

(see separate Data Booklet Accessories)

Flow scheme of a complete dosing system

- 1 Dosing tank 502
- 2 Electric agitator 509
- 3 Extraction device 521
- 4 Suction pulsation damper 516
- 5 Dosing pump DMX
- 6 Pressure relief valve 525
- 7 Pressure retention valve 525
- 8 Pulsation damper 517
- 9 Measuring tube
- 10 Injection unit 522



Wall consoles

- with fixing accessories

Description	Order No.
for DMX 226-...M simplex pumps, PP	539-033
for DMX 226-...L simplex pumps, lacquered steel sheet	539-026
for DMX 226-...L duplex pumps, lacquered steel sheet	539-027

Spare parts sets

- Gaskets for the dosing head, 1 dosing diaphragm, 4 valve O-rings, 2 valve balls, 2 valve seats

Spare parts sets for: DMX models	PVC/Viton/glass	PVC/EPDM/ stainless steel	PP/Viton/glass	PVDF/PTFE/PTFE	Stainless steel/ Viton/stainl. steel
Head size 1 226-24M, -52M / -100M / -142M 226-67L / -132L / -190L	553-1470	553-1470-2	553-1471	553-1473	553-1472
Head size 2 226-37M, -82M / -160M / -230M 226-95L / -199L / -280L	553-1474	553-1474-2	553-1475	553-1477	553-1476
Head size 3 226-60M, -130M / -255M / -380M 226-152L / -321L / -460L	553-1478	553-1478-2	553-1479	553-1481	553-1480
Head size 4 226-249L / -315L / -525L / -800L	553-1482	553-1482-2	553-1483	553-1485	553-1484

Spare parts set for integrated pressure relief valves

Description	Order No.
1 diaphragm NBR/PTFE, 1 ball PTFE, 1 O-ring Viton/PTFE	553-1490

96681637 0307	EN
15.820029 V4.0	

Subject to change.